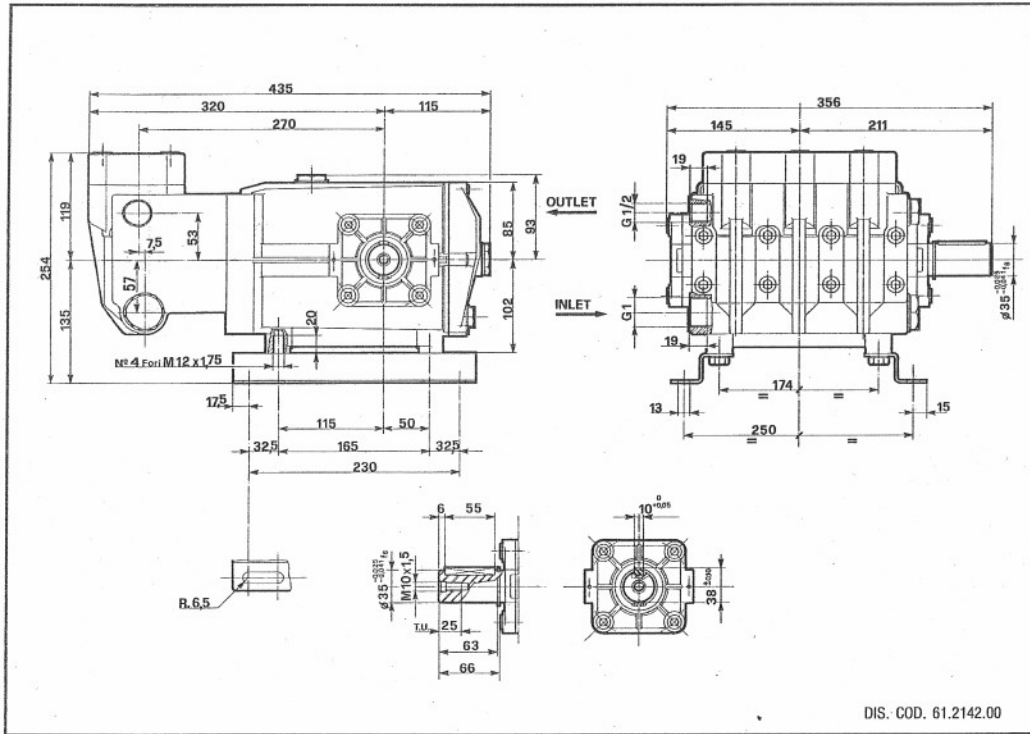
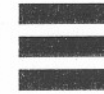


- OVERALL DIMENSIONS
- ÄUSSERE ABMESSUNGEN
- DIMENSIONS TOTALES
- DIMENSIONES TOTALES
- DIMENSIONI D'INGOMBRO



- LUBRICATION: We recommend INTERPUMP OIL X-9.9. (SAE 15W40 Mineral) - OIL CAPACITY 12,7
- LUBRIFICATION: On conseille huile INTERPUMP X-9.9. (SAE 15W40 Minérale) - CAPACITÉ D'HUILE 2,7 l
- SCHMIERUNG: Es sollte INTERPUMP ÖL X-9.9 (SAE 15W40 Mineral) verwendet werden - Ölinhalt 2,7 l
- LUBRIFICACIÓN: Se aconseja aceite INTERPUMP X-9.9. (SAE 15W40 Mineral) - CAPACIDAD 2,7 l
- LUBRIFICAZIONE: Si consiglia olio INTERPUMP X-9.9. (SAE 15W40 Minerale) - CAPACITÀ OLIO 2,7 l

Revisione n. 3

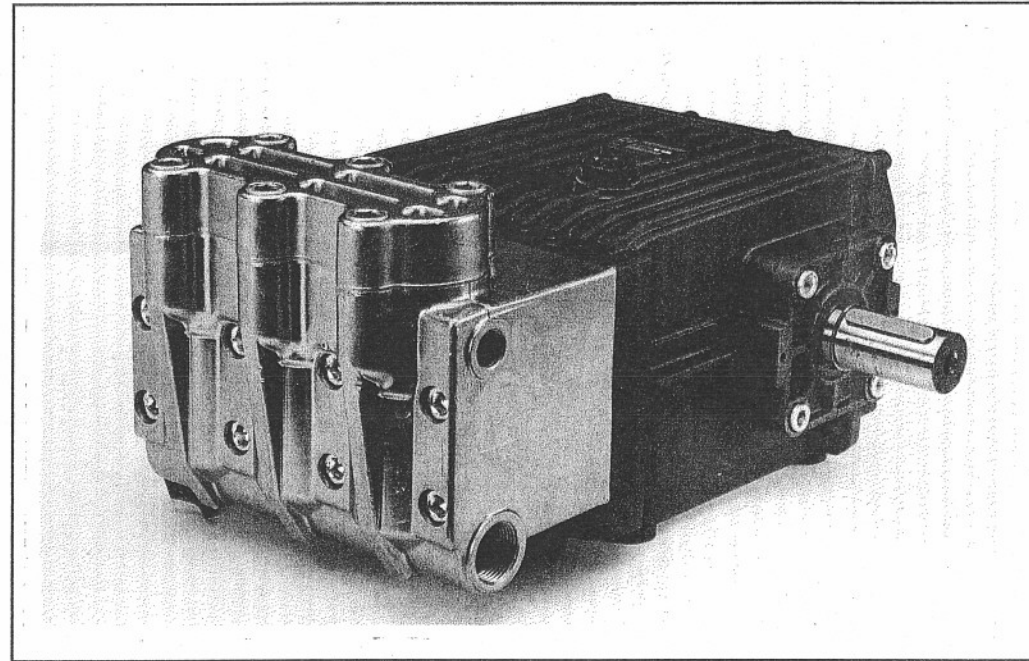


**INTERPUMP  
GROUP**



**PUMP  
PUMPE  
POMPE  
POMPA**

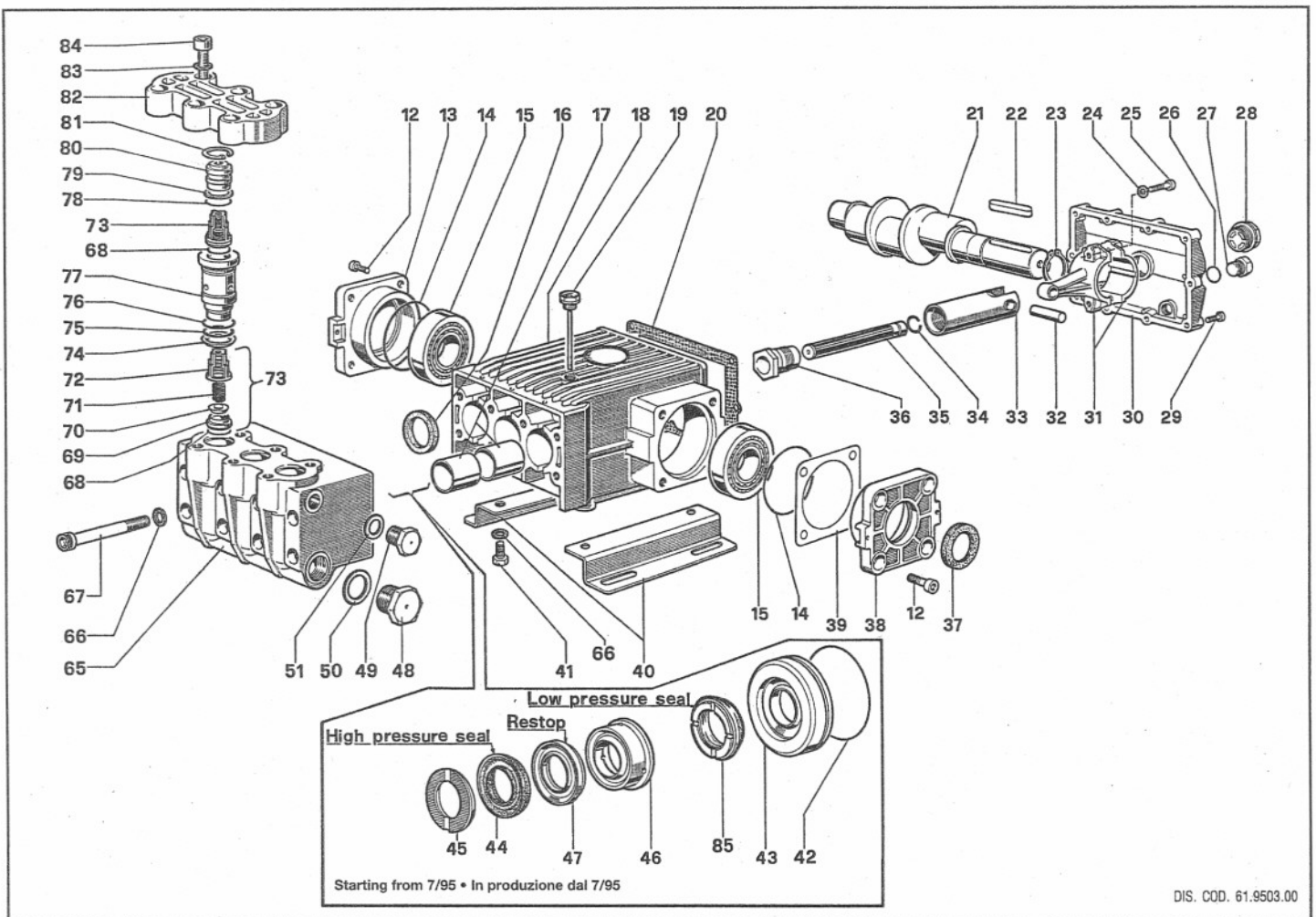
**W425 - T4251**



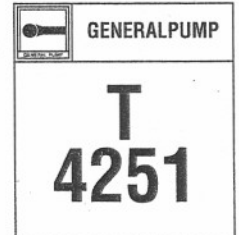
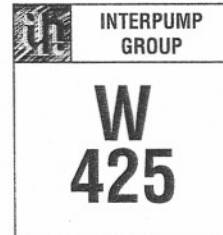
Cod. 61.2128.03 - 11/06 - 500 DePietri.

| pump type |       | volume<br>leistung<br>debit<br>caudal<br>portata |              | pressure<br>druck<br>pressione<br>presion<br>pressione |        | r.p.m.<br>u.p.m.<br>l/min.<br>r/min. | required<br>leistung<br>puissance<br>potenza |       | weight<br>kg.<br>gewicht<br>kg.<br>poids<br>kg.<br>peso<br>kg. | overall dimensions<br>kg.<br>dimensions<br>kg.<br>dimensions<br>kg.<br>dimensiones<br>kg.<br>dimensioni |
|-----------|-------|--|--------------|--|--------|--------------------------------------|--|-------|--|---|
| W425      | T4251 | l/min.   | G.P.M. (USA) | bar  | p.s.i. | g/min.                               | HP   | kW    |  | 435x356x254<br>mm.<br>inches.<br>17.1x14.0x10   |
|           |       | 25   | 6.6          | 400  | 5800   | 1000                                 | 25   | 18.38 | 55   |   |





| KIT N.             | KIT 7 | KIT 32 | KIT 44 | KIT 75 | KIT 76 | KIT 77      | KIT 78                     | KIT 122                |
|--------------------|-------|--------|--------|--------|--------|-------------|----------------------------|------------------------|
| Positions Included | 45    | 37     | 16     | 46     | 42-43  | 44-47<br>85 | 42-43-44<br>45-46-47<br>85 | 68-69-70<br>71-72 (73) |
| Posizioni Include  |       |        |        |        |        |             |                            |                        |
| N. pcs.            | 6     | 2      | 3      | 3      | 3      | 3           | 1                          | 6                      |



| POS. | CODE CODICE | DESCRIPTION DESCRIZIONE   | N. PCS. |
|------|-------------|---------------------------|---------|
| 12   | 99.3652.00  | Vite M10×20 UNI 5931      | 8       |
| 13   | 76.1501.22  | Coperchio lat. carter     | 1       |
| 14   | 90.4141.00  | OR Ø 85,32×3,53           | 2       |
| 15   | 91.8474.00  | Cuscinetto a rulli conici | 2       |
| 16   | 90.1670.00  | Anello radiale Ø 35×52×7  | 3       |
| 17   | 90.9172.00  | Boccola Ø 35×39×30        | 6       |
| 18   | 76.0102.01  | Carter con boccole        | 1       |
| 19   | 98.2270.00  | Tappo carico olio G 3/4   | 1       |
| 20   | 76.2119.84  | Guarnizione coperchio     | 1       |
| 21   | 76.0210.35  | Albero                    | 1       |
| 22   | 91.4978.00  | Linguetta                 | 1       |
| 23   | 90.0695.00  | Anello fermo albero       | 1       |
| 24   | 96.7104.00  | Rosetta Ø 10,5 Schnorr    | 6       |
| 25   | 99.3720.00  | Vite M 10×45 UNI 5931     | 6       |
| 26   | 90.3833.00  | OR Ø 13,95×2,62           | 2       |
| 27   | 98.2100.00  | Tappo G 3/8×13            | 2       |
| 28   | 97.5968.00  | Spia livello olio G 3/4   | 1       |
| 29   | 99.1897.00  | Vite M 6×25 UNI 5931      | 10      |
| 30   | 76.1600.22  | Coperchio carter          | 1       |
| 31   | 76.0303.01  | Biella                    | 3       |
| 32   | 97.7400.00  | Spinotto                  | 3       |
| 33   | 61.0500.66  | Guida pistone             | 3       |
| 34   | 90.0115.00  | Anello fermo albero       | 3       |
| 35   | 61.0400.56  | Pistone Ø 20              | 3       |
| 36   | 61.2195.66  | Vite fissaggio pistone    | 3       |
| 37   | 90.1672.00  | Anello radiale Ø 35×52×8  | 3       |
| 38   | 76.1500.22  | Coperchio carter          | 1       |
| 39   | 76.2200.78  | Spessore                  | 2       |
| 40   | 76.2000.74  | Piedino                   | 2       |
| 41   | 99.4266.00  | Vite M12×25 UNI 5739      | 4       |
| 42   | 90.3903.00  | OR Ø 60×2,62              | 3       |

| POS. | CODE CODICE | DESCRIPTION DESCRIZIONE       | N. PCS. |
|------|-------------|-------------------------------|---------|
| 43   | 61.0800.70  | Anello di fondo Ø 20          | 3       |
| 44   | 90.2705.00  | Anello tenuta Ø 20 H.P. seal  | 3       |
| 45   | 47.1000.51  | Anello di testa Ø 20          | 3       |
| 46   | 61.2160.70  | Anello intermedio Ø 20        | 3       |
| 47   | 90.2709.00  | Anello "RESTOP" Ø 20          | 3       |
| 48   | 98.2325.00  | Tappo G 1×17                  | 1       |
| 49   | 98.2178.00  | Tappo G 1/2×16                | 1       |
| 50   | 96.7870.00  | Rosetta Ø 33,5×38×1,5         | 1       |
| 51   | 96.7514.00  | Rosetta Ø 21,5×27×1,5         | 1       |
| 65   | 61.1202.41  | Testata nickel                | 1       |
| 66   | 96.7195.00  | Rosetta Ø 12 Schnorr          | 12      |
| 67   | 99.4465.00  | Vite M12×130 UNI 5931         | 8       |
| 68   | 90.3850.00  | OR Ø 21,89×2,62               | 6       |
| 69   | 36.2024.66  | Sede valvola                  | 6       |
| 70   | 36.2013.66  | Valvola                       | 6       |
| 71   | 94.7394.00  | Molla Ø 10,7×22,5             | 6       |
| 72   | 36.2023.51  | Guida valvola                 | 6       |
| 73   | 36.7114.01  | Gruppo valvola                | 6       |
| 74   | 90.5181.00  | Anello per OR                 | 3       |
| 75   | 90.4057.00  | OR Ø 31,34×3,53               | 3       |
| 76   | 90.3871.00  | OR Ø 34,60×2,62               | 3       |
| 77   | 61.2177.66  | Bussola                       | 3       |
| 78   | 90.3855.00  | OR Ø 23,47×2,62               | 3       |
| 79   | 90.5154.00  | Anello per OR                 | 3       |
| 80   | 61.2176.70  | Tappo                         | 3       |
| 81   | 90.0670.00  | Anello di fermo Ø 30 UNI 7437 | 3       |
| 82   | 61.2182.41  | Coperchio valvole             | 1       |
| 83   | 96.7300.00  | Rosetta Ø 14 Schnorr          | 6       |
| 84   | 99.4860.00  | Vite M14×50 UNI 5931          | 6       |
| 85   | 90.2710.00  | Anello tenuta Ø 20 L.P. seal  | 3       |